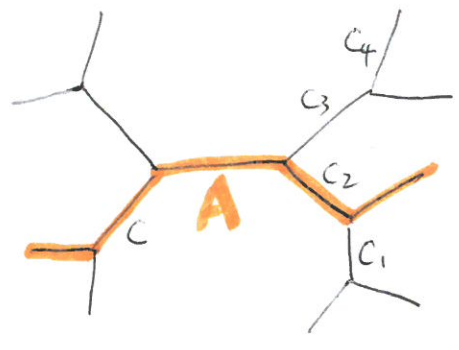


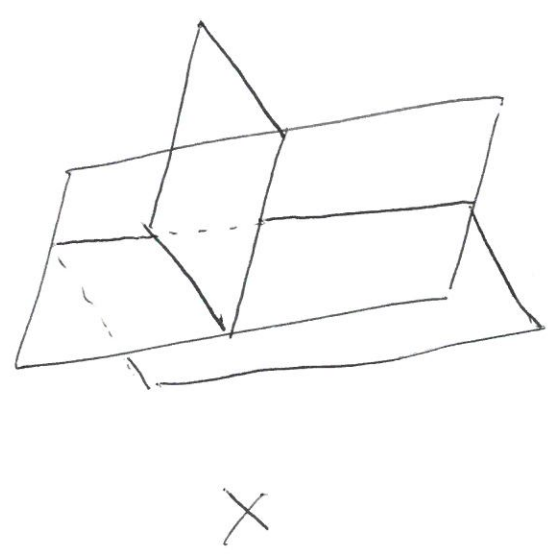
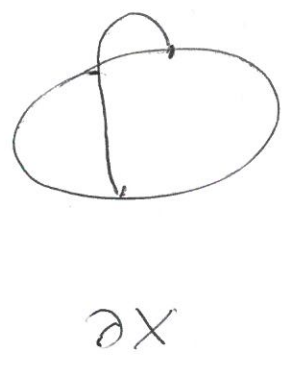
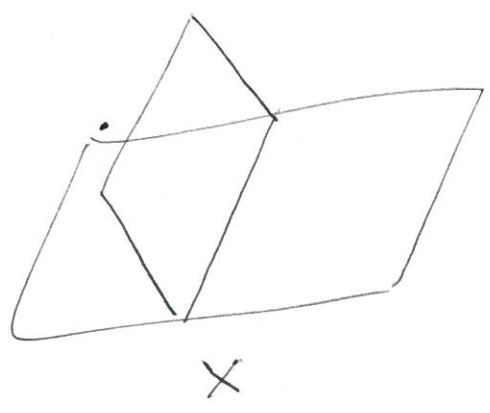
6/25

1



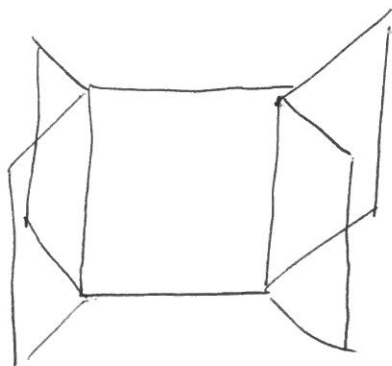
$$\gamma_{A,c}(C_3) = C_2$$

Boundary at infinity:



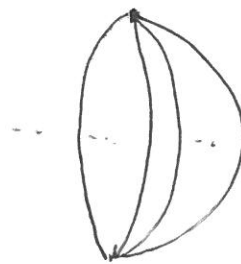
Boundary at infinity.

tree  $\times \mathbb{R}$



$$X = T_3 \times \mathbb{R}$$

(2)



$\partial X =$  suspension of Cantor set